

# ImpactSubsea

Innovative Underwater Products

## ISS360 – Compact Imaging Sonar



Impact Subsea is proud to present the most compact imaging sonar in the world - the **ISS360**.

The **ISS360** is optionally available with integrated **Attitude & Heading Reference System (AHRS)** providing Heading, Pitch & Roll.

Utilising a broadband composite transducer together with an advanced digital acoustic engine provides excellent range capability and image clarity.

For applications where Sonar Imaging, Heading, Pitch & Roll are required; all can be provided from a single device.

The **ISS360** is provided in a highly robust Titanium housing. The unit can be supplied without the AHRS. Alternative OEM configurations are available upon request.

### Features

90 Meter Range

4,000m Depth Rating

Integrated AHRS

Small Form Factor

Broadband Transducer

No Slip Rings

### Benefits

Long Range Imaging

Ideal for Shallow and Deep Water

Provides Heading to  $\pm 3^\circ$ , Pitch & Roll to  $0.2^\circ$  Accuracy

Smallest Imaging Sonar Available

Excellent Image Quality & Range

No Components to Wear

### Applications

ROV & AUV Navigation

Target Identification

Search & Recovery

Motion Reference

Port Surveillance

Diver Navigation

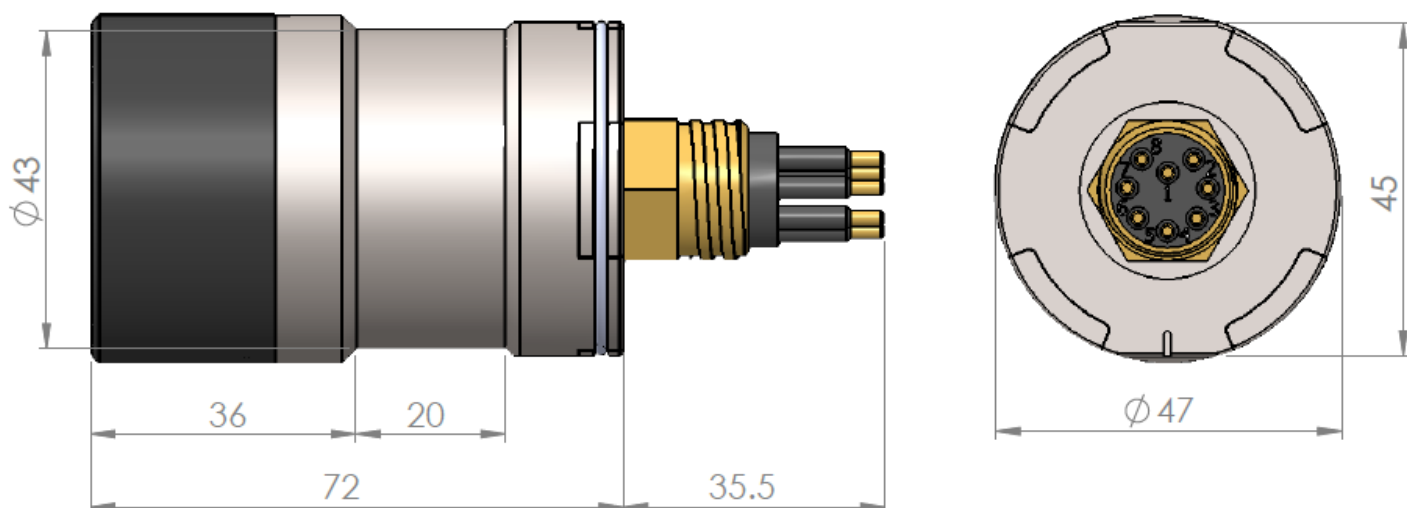
Heading

[www.impactsubsea.com](http://www.impactsubsea.com)

# ImpactSubsea

Innovative Underwater Products

## ISS360 – Compact Imaging Sonar



All dimensions are in mm.

Acoustic		Heading	
<i>Frequency</i>	700kHz Centre 650 to 750kHz Standard Bandwidth	<i>Accuracy</i>	± 3°
<i>Range</i>	0.15 to 90 meters	<i>Resolution</i>	0.1°
<i>Range Resolution</i>	7.5mm (100kHz CHIRP)	Attitude	
<i>Beam Angle</i>	23° Vertical at 700kHz 2.2° Horizontal at 700kHz	<i>Pitch</i>	± 90°
<i>Signalling (Selectable)</i>	CHIRP & CW	<i>Roll</i>	± 180°
<i>Step Size (Selectable)</i>	0.225°, 0.45°, 0.9°, 1.8°, 3.6° & 7.2°	<i>Accuracy</i>	0.2°
<i>Scan Angle</i>	360° Continuous or Sector Scan	<i>Resolution</i>	0.1°
Communications & Power		Physical	
<i>Digital</i>	RS232, RS485 & Ethernet	<i>Weight (Air / Fresh Water)</i>	0.38/0.3kg
<i>Protocol</i>	9600 to 115,200 baud	<i>Depth Rating</i>	4,000m
<i>Input Voltage</i>	12 to 65V DC	<i>Temperature</i>	-10 to 40° operating -20 to 60° storage
<i>Power (Standby)</i>	110mA @ 24V DC	<i>Connector</i>	Subconn MCBH8M-SS (other options available)
<i>Power (Scanning)*</i>	150mA @ 24V DC		

\* Based on maximum power level and scanning speed

Specifications subject to change in line with product enhancements. Rev 1.6

[sales@impactsubsea.co.uk](mailto:sales@impactsubsea.co.uk)  
**+44(0)1224 460 850**  
[www.impactsubsea.com](http://www.impactsubsea.com)