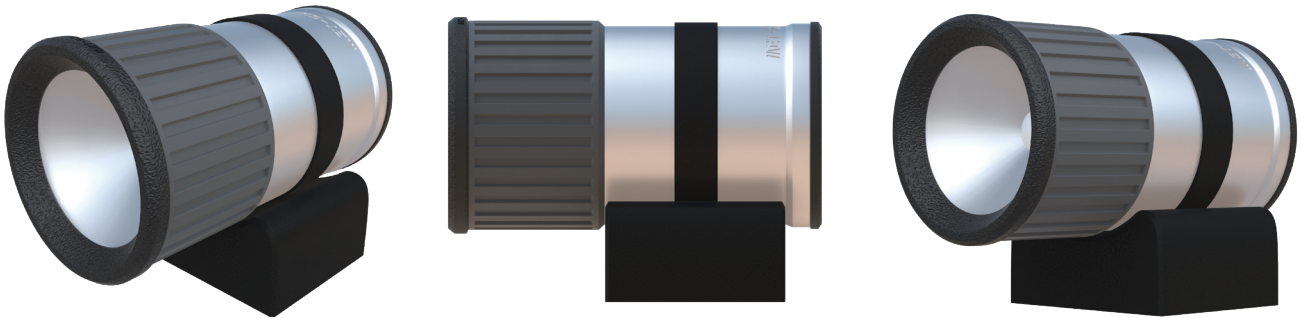
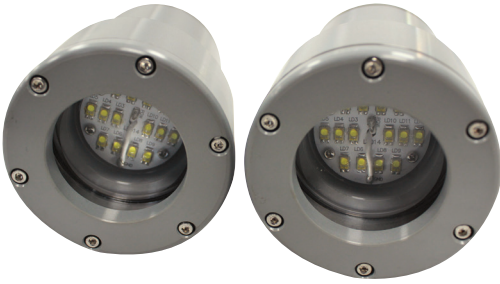


수중용 LED 라이트



FEATURES

- Up to 10,000 Lumens
- ROV, AUV and Diver's Light Source
- Digital Dimming Interface Support
- Available in a Titanium or Hard Anodized Aluminum housing for long-term immersion and corrosion resistance.
- 1,000 M, 4,000 M, 6,000 M Depth Rated Options
- Using LED by Cree LED
- Sapphire Glass

APPLICATIONS

- ROV, AUV, Divers Light Source
- Underwater Observation System
- Underwater Monitoring System

수중용 LED 라이트는 최대 수심 1,000M까지 동작 가능하도록 설계된 LED 라이트 제품으로 ROV 및 심해저 탐사 플랫폼에서 카메라 및 운용 시스템의 시야 확보를 위한 제품입니다. 사용자 요구에 따라 최대 6,000M까지 동작 가능하도록 제작이 가능합니다.

외부는 아노다이징 처리를 통해 해수로 인한 부식을 방지하기 때문에 모든 유형의 가혹한 환경에서 작동할 수 있습니다.

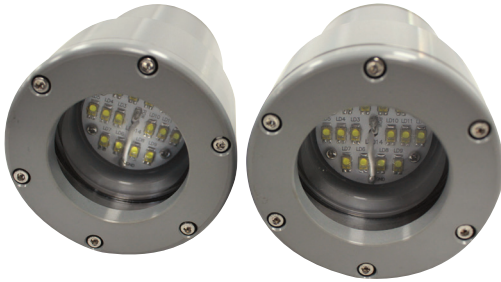
통신은 RS-485 프로토콜을 통해 지원됩니다. Dimming, ON/OFF 등 LED 라이트의 제어가 가능하며, 제조사와 협의에 따라 프로토콜 변경이 가능합니다.

옵션으로 수중용 카메라 플랫폼 컨트롤 박스를 이용하면, 휴대폰 또는 노트북 등의 PC에서 Bluetooth 통신을 통해 원격으로 상태정보 확인 및 설정이 가능합니다.

SPECIFICATIONS

- Dimensions : 106 x 210(mm)
- Weight in Air : 500g
- Hosing : Customer Selectable
(Hard Anodized 6061 Aluminum or Titanium)
- Operation Temperature : -10°C ~ 40°C(14°F ~ 104°F)
- Storage Temperature : -40°C ~ 100°C(-40°F ~ 212°F)
- Connector : SEACON MCBHMP SS
- Power : 24V DC
- Depth Rating : Up to 6,000 M
- Communication : RS-485
- Typical Lumens Output : 10000 Lumens

Underwater LED Light

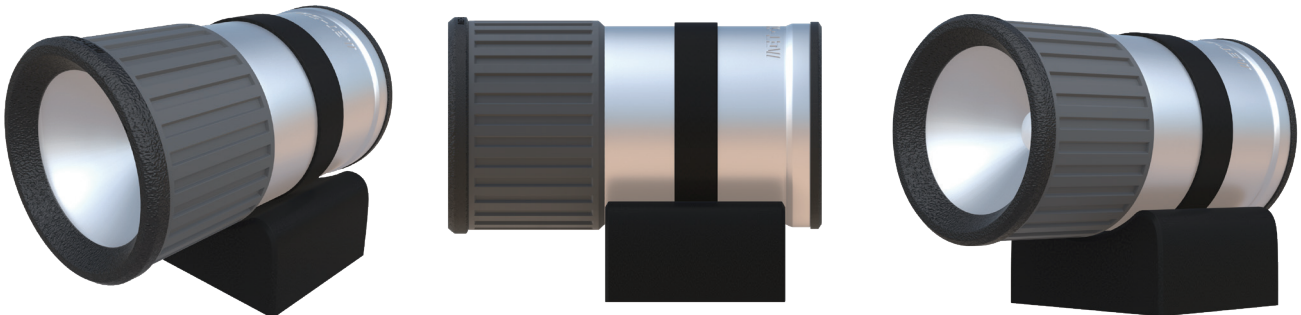


The underwater LED light is designed to operate up to a depth of 1,000M and is a product to secure the view of the camera and operating system in ROV and deep-sea exploration. Upon customer's request, it can be manufactured up to 6,000m.

The exterior is hard anodized to prevent corrosion by seawater, so it can operate in many types of harsh environments.

Communication is supported through RS-485. It is possible to control LED lights such as dimming and ON/OFF, and it is possible to change the protocol according to the agreement with the manufacturer.

Option: If you use the underwater camera platform control box, you can check and set status information remotely through Bluetooth communication from a PC such as a mobile phone or laptop.



FEATURES

- Up to 10,000 Lumens
- ROV, AUV and Diver's Light Source
- Digital Dimming Interface Support
- Available in a Titanium or Hard Anodized Aluminum housing for long-term immersion and corrosion resistance.
- 1,000 M, 4,000 M, 6,000 M Depth Rated Options
- Using LED by Cree LED
- Sapphire Glass

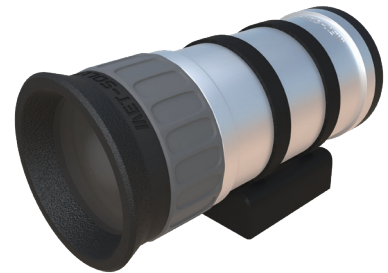
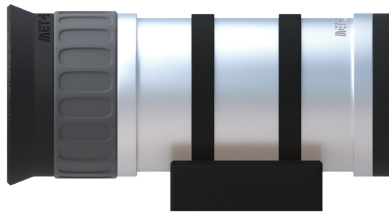
APPLICATIONS

- ROV, AUV, Divers Light Source
- Underwater Observation System
- Underwater Monitoring System

SPECIFICATIONS

- Dimensions : 106 x 210(mm)
- Weight in Air : 500g
- Hosing : Customer Selectable
(Hard Anodized 6061 Aluminum or Titanium)
- Operation Temperature : -10°C ~ 40°C(14°F ~ 104°F)
- Storage Temperature : -40°C ~ 100°C(-40°F ~ 212°F)
- Connector : SEACON MCBHMP SS
- Power : 24V DC
- Depth Rating : Up to 6,000 M
- Communication : RS-485
- Typical Lumens Output : 10000 Lumens

수중용 카메라



수중용 카메라는 심해 1,000M 에서 QFHD 해상도의 영상을 촬영할 수 있는 6G-SDI 카메라입니다.

최대 2160p/29.97 에서 1080p 1080i 720p 480p 등 다양한 해상도가 지원되며, 광학 20배 줌과 RS-232 통신을 지원합니다. 사용자 요구에 따라 최대 6,000M 까지 동작 가능하도록 제작이 가능합니다.

외부는 아노다이징 처리를 통해 해수로 인한 부식을 방지하기 때문에 모든 유형의 가혹한 환경에서 작동할 수 있습니다.

옵션으로 수중용 카메라 플랫폼 컨트롤 박스를 이용하면, 휴대폰 또는 노트북 등의 PC에서 Bluetooth 통신을 통해 원격으로 상태정보 확인 및 설정이 가능합니다.

FEATURES

- Quad Full HD (3840H x 2160V)
- 6G-SDI(SMPTE ST-2081) digital video output
- Supports 4K resolution : 2160p/25/29.97Hz
- 1,000 M, 4,000 M, 6,000 M Depth Rated Options
- Available in a Titanium or Hard Anodized Aluminum housing for long-term immersion and corrosion resistance.
- Customer Selectable Connector & Communication
- 24 ~ 48V DC Input Source Selectable

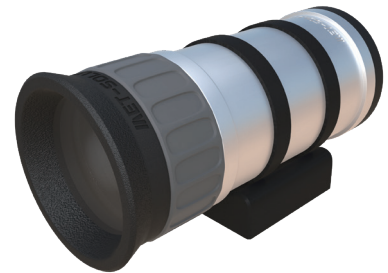
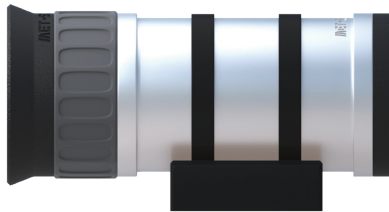
APPLICATIONS

- ROV
- Underwater Observation System
- Underwater Monitoring System

SPECIFICATIONS

- Dimensions : 66 x 85(mm)
- Weight in Air : 3 Kg
- Housing : Customer Selectable
(Hard Anodized 6061 Aluminum or Titanium)
- Connector : Customer Selectable Connector
- Power : 24V DC
- Depth Rate : Up to 6,000 m
- Communication & Protocol : RS-232 & VISCA Protocol
- Image Sensor : 1/2.5-type Exmor R CMOS Sensor (8.51M pixels)
- Output Pixels (HxV) : 3840x2160 (QFHD), 1920x1080 (Full HD)
1280x720 (HD), 720x480/576 (SD)
- Signal System : 2160p/29.97, 2160p/25, 1080p/59.94,
1080p/50, 1080p/29.97, 1080p/25,
1080i/59.94, 1080i/50, 720p/59.94, 720p/50
- Operating Temperature : 0°C to +60°C (23°F to 140°F)
- Storage Temperature : -20°C to +60°C (-4°F to +140°F)

Underwater Camera



The underwater camera is a 6G-SDI camera that can record images in QFHD resolution at a depth of 1,000M. Various resolutions are supported, from 2160p/29.97 up to 1080p/1080i/720p/480p, and supports 20x optical zoom and RS-232 communication. Upon customer's request, it can be manufactured up to 6,000m.

The exterior is hard anodized to prevent corrosion by seawater, so it can operate in many types of harsh environments.

Option: If you use the underwater camera platform control box, you can check and set status information remotely through Bluetooth communication from a PC such as a mobile phone or laptop.

FEATURES

- Quad Full HD (3840H x 2160V)
- 6G-SDI(SMPTE ST-2081) digital video output
- Supports 4K resolution : 2160p/25/29.97Hz
- 1,000 M, 4,000 M, 6,000 M Depth Rated Options
- Available in a Titanium or Hard Anodized Aluminum housing for long-term immersion and corrosion resistance.
- Customer Selectable Connector & Communication
- 24 ~ 48V DC Input Source Selectable

APPLICATIONS

- ROV
- Underwater Observation System
- Underwater Monitoring System

SPECIFICATIONS

- Dimensions : 66 x 85(mm)
- Weight in Air : 3 Kg
- Housing : Customer Selectable
(Hard Anodized 6061 Aluminum or Titanium)
- Connector : Customer Selectable Connector
- Power : 24V DC
- Depth Rate : Up to 6,000 m
- Communication & Protocol : RS-232 & VISCA Protocol
- Image Sensor : 1/2.5-type Exmor R CMOS Sensor (8.51M pixels)
- Output Pixels (HxV) : 3840x2160 (QFHD), 1920x1080 (Full HD), 1280x720 (HD), 720x480/576 (SD)
- Signal System : 2160p/29.97, 2160p/25, 1080p/59.94, 1080p/50, 1080p/29.97, 1080p/25, 1080i/59.94, 1080i/50, 720p/59.94, 720p/50
- Operating Temperature : 0°C to +60°C (23°F to 140°F)
- Storage Temperature : -20°C to +60°C (-4°F to +140°F)